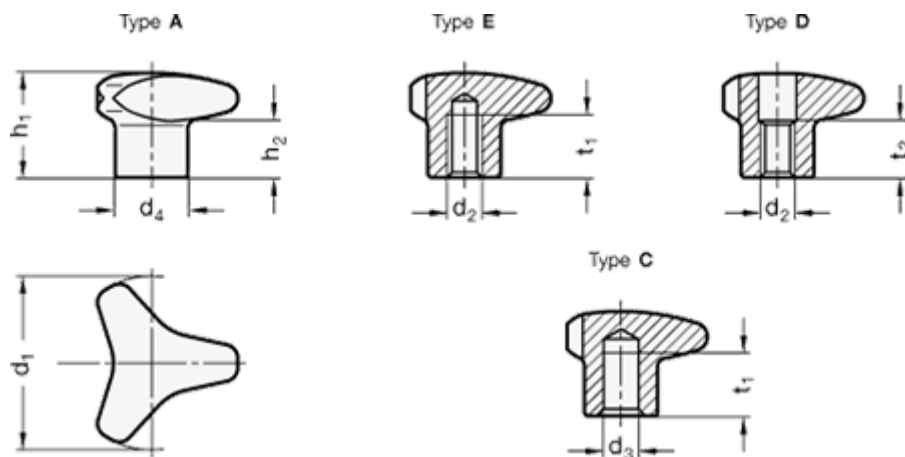


Article number: 205345460M12D

Description: E+G Three-star knobs - GN 5345.4-60-M12-D

## Measures



d1 = 60  
d2 = M12  
d3 H7 = -  
d4 = -  
h1 = 35  
h2 = 18  
t1 min. = -  
t2 = 20

Weight (g) = 230